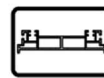




广州励成电子科技有限公司
Guangzhou Licheng Electronic Technology Co., Ltd

OUTDOOROD190-65B

3000nits single-sided floor-to-ceiling outdoor high-brightness LCD digital signage



ALL ALUMINUM



SUNLIGHT
READABLE IMAGE



INTELLIGENT THERMAL
MANAGEMENT



WEATHER
PROOF



VANDAL
RESISTANT

FOR MORE INFORMATION

For more information about CNLC, visit our website at www.cnlcdisplay.com. Copyright © cnlcdisplay All rights reserved. All specifications and descriptions are subject to change without notice. Reproduction without permission is prohibited.

CNLC[®]
DISPLAY ADVERTISING

Product Parameters

MODEL

LCD Panel Brand and Model	65"LG
LCD Panel Withstand Temperature Level	-30° +110°
Brightness (w/o glass)	3000nits
Resolution	1920*1080
Contrast Ratio	1200/1
Life span (Typ.)	50,000 hours
Viewing Angle	178°/178°
Response Time (Typ.)	8ms
No Blackening Defects	Up To 110° (230°F)
Polarized Sunglasses Support	Yes

DISPLAY

Ambient Light Sensor	Yes
Temperature Control	Yes
Lightning And Leakage Protection	Yes
Heat Dissipation	Air circulation system

FUNCTIONAL CHARACTERISTICS

Border Width	100mm
Overall Size	1005*2000*190
Housing Material	Aluminum Alloy
Painting Color	Black/Gray/Silver/Customize
Thickness of Tempered Glass	6mm
Tempered Glass Transmittance	84%

MECHANICAL SPECIFICATIONS

Electricity Supply	Internal
Rated Voltage	200V-240V ~ 50/60Hz
Power Consumption	670W
Power Adapter and Brand	MeanWell power adapter / Chint leakage

POWER

ENVIRONMENT

Operating Temperature	-20° +60°
IP Rating	IP65
Life Span/Running Time	7/ 24 hours

OPTIONAL

Touch Panel	nanotouch
Input interface	HDMI/USB
Simultaneous Touch	Ten Point Touch
Outdoor Indoor And Waterproof Touch Support	Yes
GSM remotely monitoring	Yes

INTERFACE IN

HDMI 2.1 (HDCP 2.3)	*1
USB 3.0	*1
Micro SD Slot	*1
Audio	*1
RJ-45	*1

SYSTEM MOTHERBOARD

Operating System	Android 11.0
Processor	Quad-core A53
Clock Speed	1.5GHZ
RAM	DDR4,2GB
ROM	Internal 16GB Emme Flash Memory
Multimedia	4K video decoder, 30/60fps

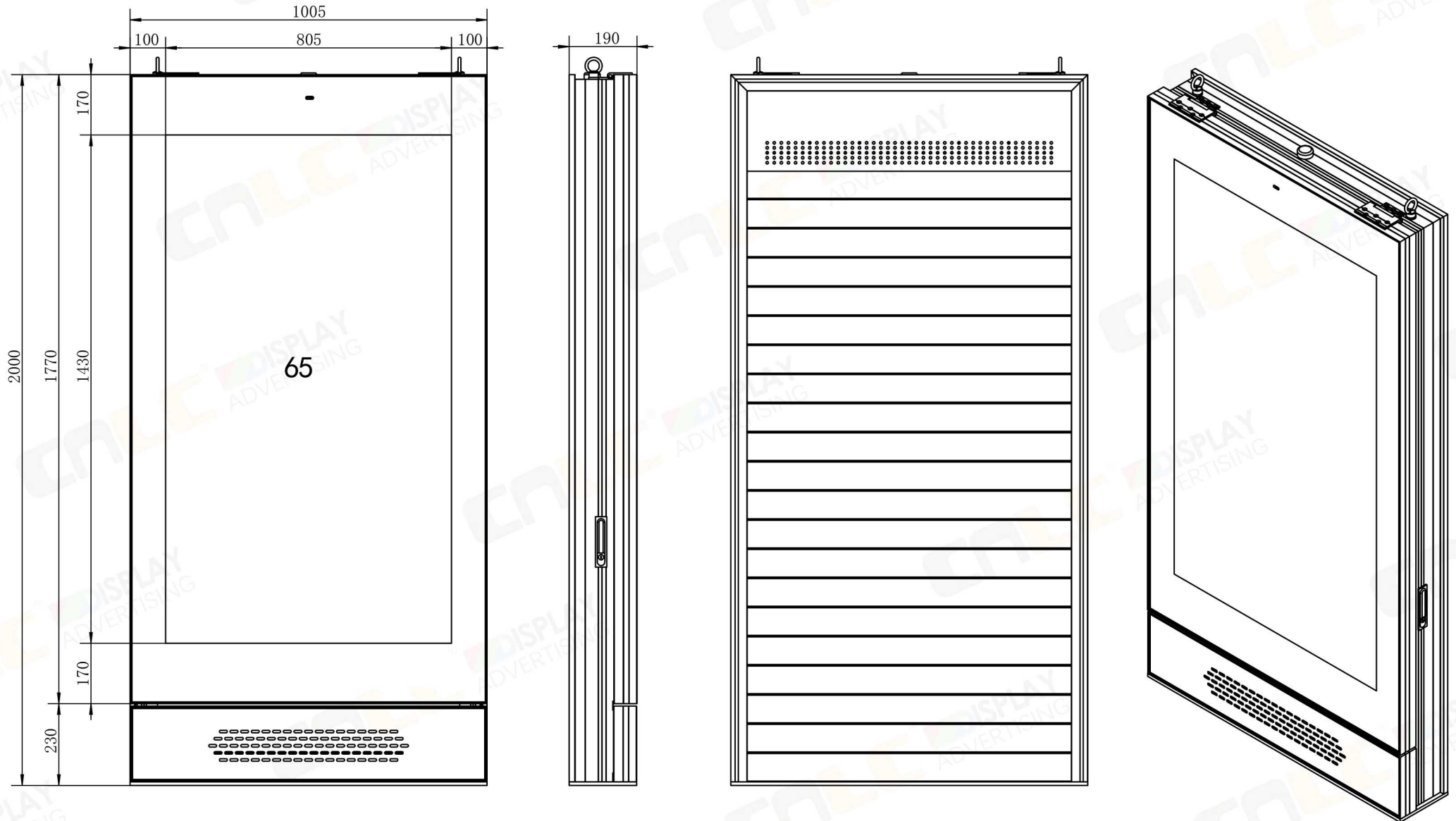
CERTIFICATIONS

CE / FCC /RoHS	Yes
----------------	-----

FOR MORE INFORMATION

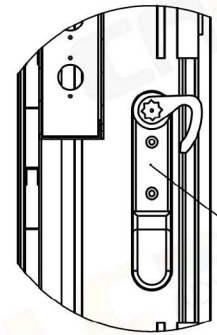
For more information about CNLC, visit our website at www.cnlcdisplay.com. Copyright © cnlcdisplay All rights reserved. All specifications and descriptions are subject to change without notice. Reproduction without permission is prohibited.

Dimensional and structural drawings

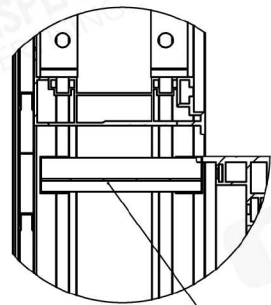


FOR MORE INFORMATION

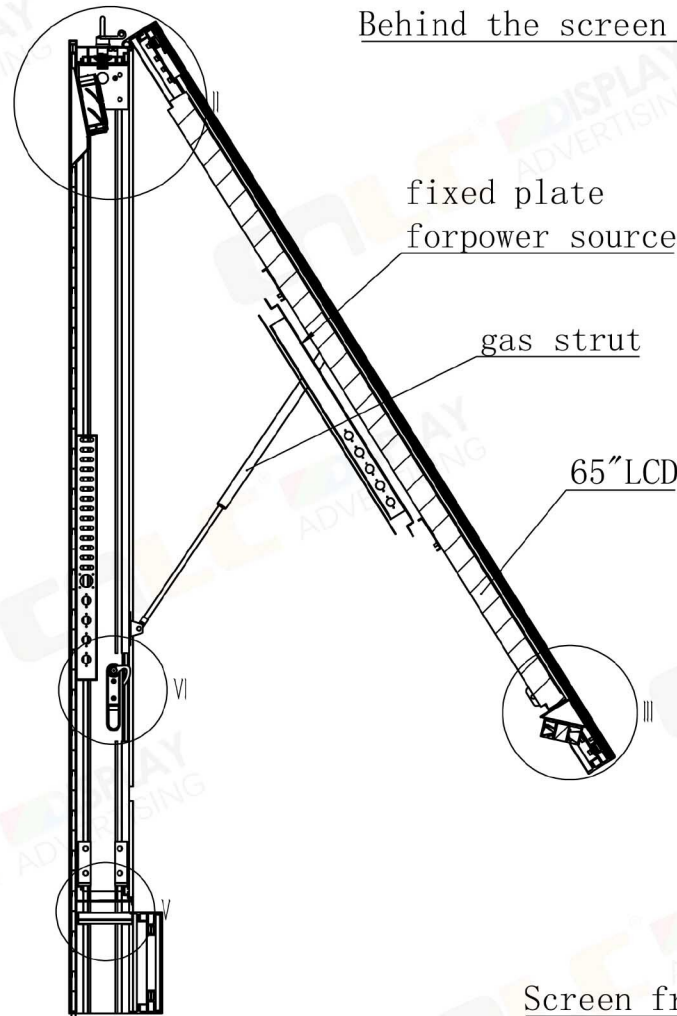
For more information about CNLC, visit our website at www.cnlcdisplay.com. Copyright © cnlcdisplay All rights reserved. All specifications and descriptions are subject to change without notice. Reproduction without permission is prohibited.



Cabinet lock



dust net

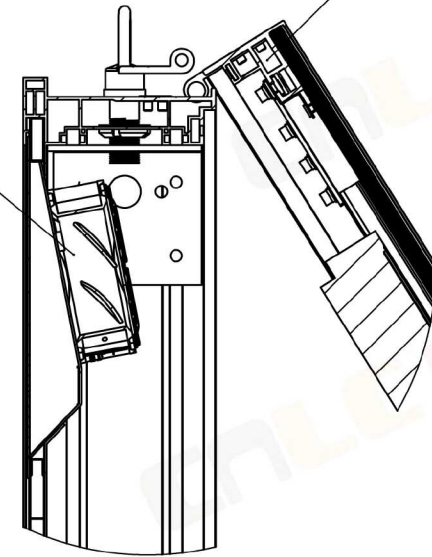


Behind the screen fan

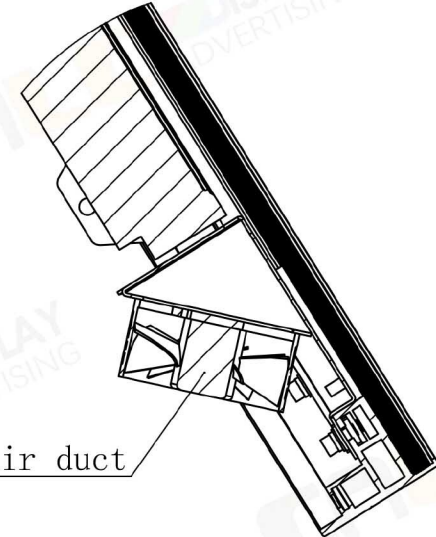
fixed plate for power source

gas strut

65" LCD



door frame



Screen front air duct

FOR MORE INFORMATION

For more information about CNLC, visit our website at www.cnlcdisplay.com. Copyright © cnlcdisplay All rights reserved. All specifications and descriptions are subject to change without notice. Reproduction without permission is prohibited.